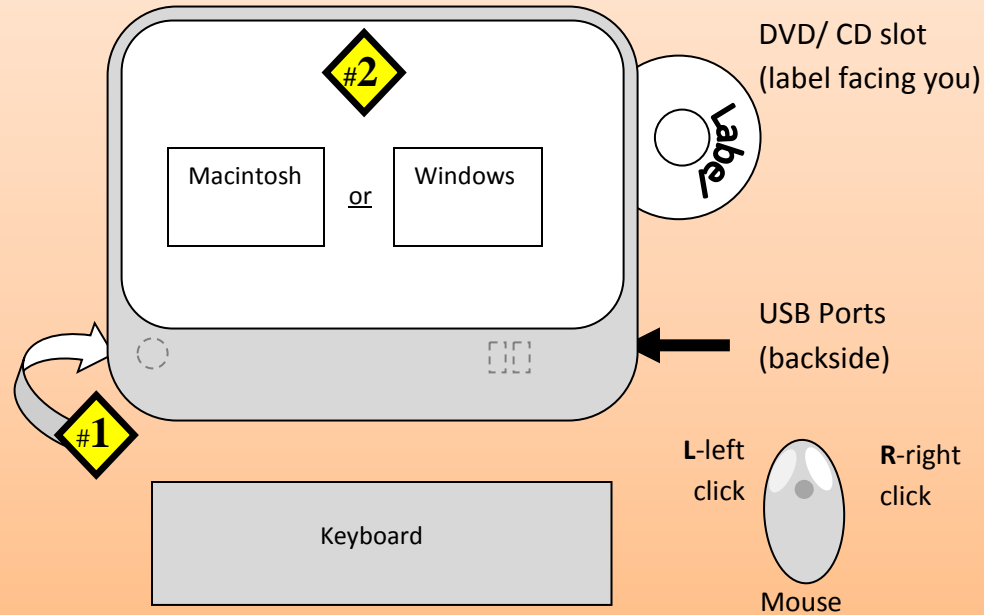


Turning on the computer

1. Turn on button (backside) ➔
2. Select (Windows / Macintosh)



Unlocking/ Locking Cabinet

(obtain combination from your division secretary)

1. **Set the combination** Ensure the combination is entered correctly. Ensure that the tumblers are seated properly in a row.
2. **Push up on the lock** Push up on the shackle to release the locking mechanism.
3. After unlocking **immediately reset the lock tumblers** Reset the 4 tumblers on the combination lock to "0000".
4. **Lock cabinet before leaving**

Power down all equipment (except audio amplifier).



Generation 3 & 4 rooms

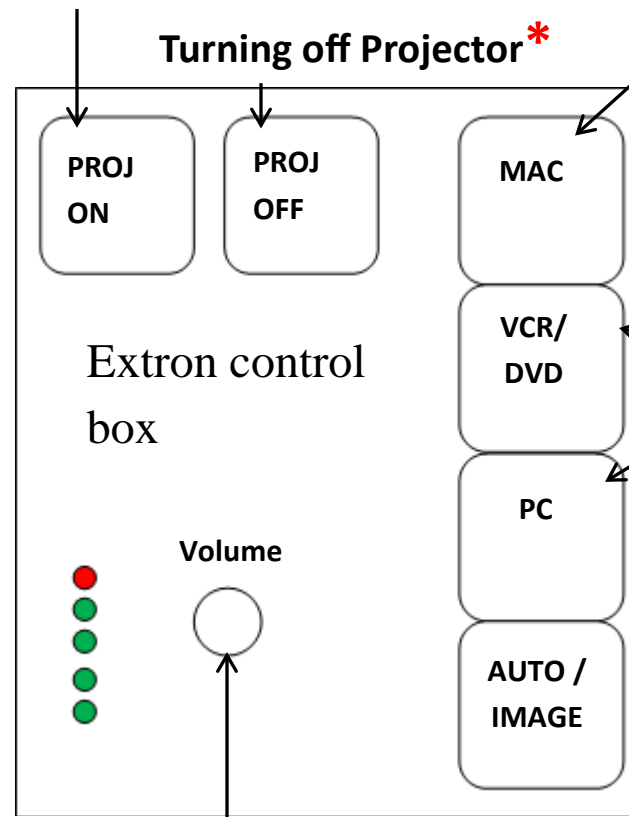
Playing a DVD Movie (with the computer)

1. Insert **DVD** into **slot** on the **right side** of the computer (label facing you).
2. Slide mouse pointer to the bottom edge of the screen to **Pause/ Stop/Eject**.

Playing a VHS Movie (with the VCR)

1. Insert **VHS** into the VCR unit.
2. On the projector remote press the **source** or **input** button. Wait 4 seconds, repeat as necessary.
3. Push the respective button on the VCR unit or remote to **Fast Forward/ Rewind/ Pause/ Stop/ Eject**.
4. Turn off VCR unit when done!

Turning on Projector*



Select "MAC" button to project computer display (whether using Mac or Windows)*

* Press and hold for about 5 seconds.

Projecting VCR or DVD Device*

Projecting an Accessory (VGA) Device*

Adjusting Audio (projector must be on)



Need Support?

Phone:
455-0271

Drop in:
LC-101